



**SPARE PARTS CATALOGUE
ERSATZTEILKATALOG
CATALOGUE PIECES DETACHEES
CATALOGO PARTI RICAMBIO
CATALOGO DE PIEZAS DE RECAMBIO
CATALOGO PECAS, DE REPOSICAO**

Catalogo parti di ricambio valido
dalla matricola 3056976 ad oggi (29/10/2021)

Catalogue pieces detachees
du numero de Série n. 3056976 jusqu'à aujourd'hui (29/10/2021)

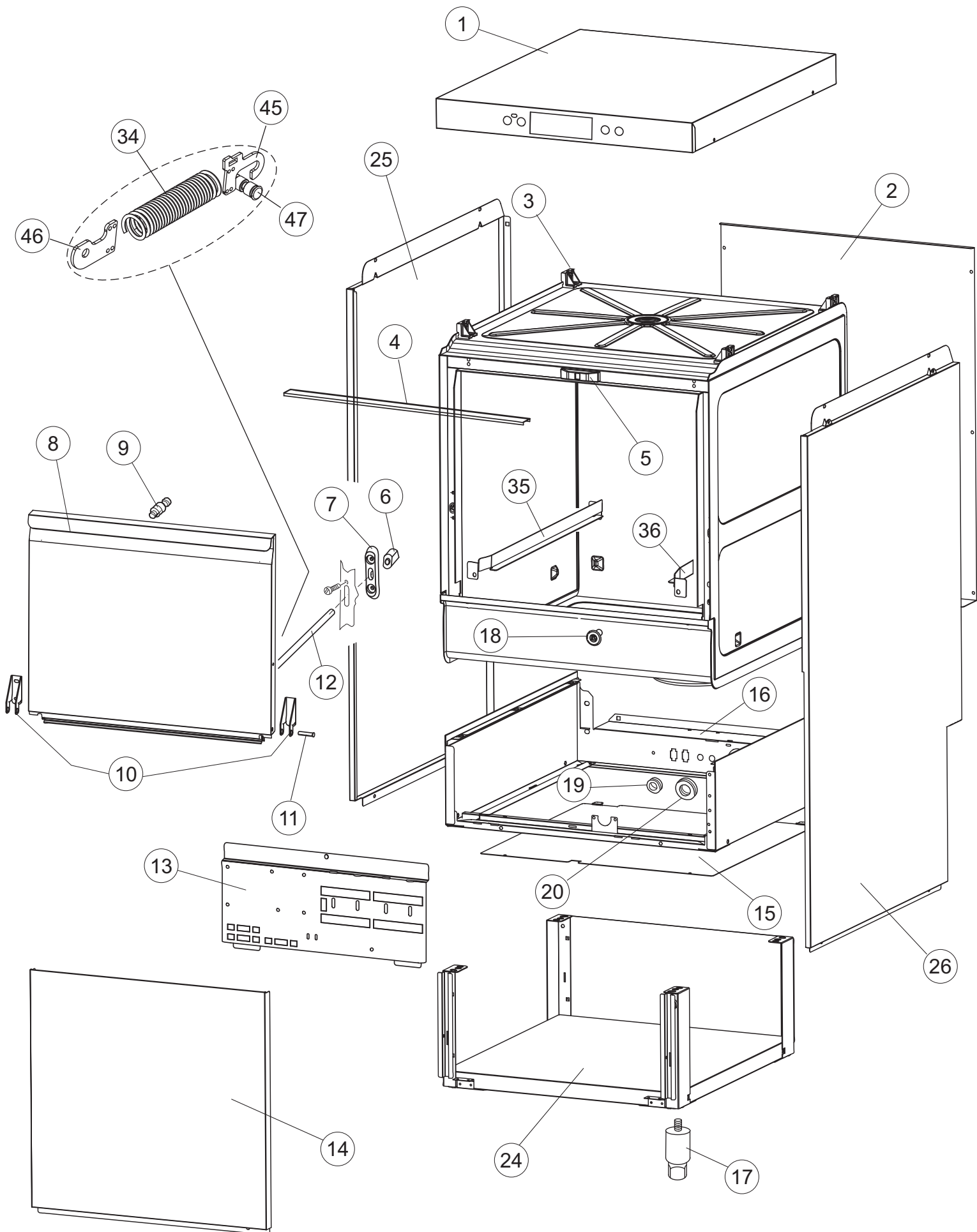
Ersatzteilkatalog
gültig ab Serien-Nr. 3056976 bis heute (29/10/2021)

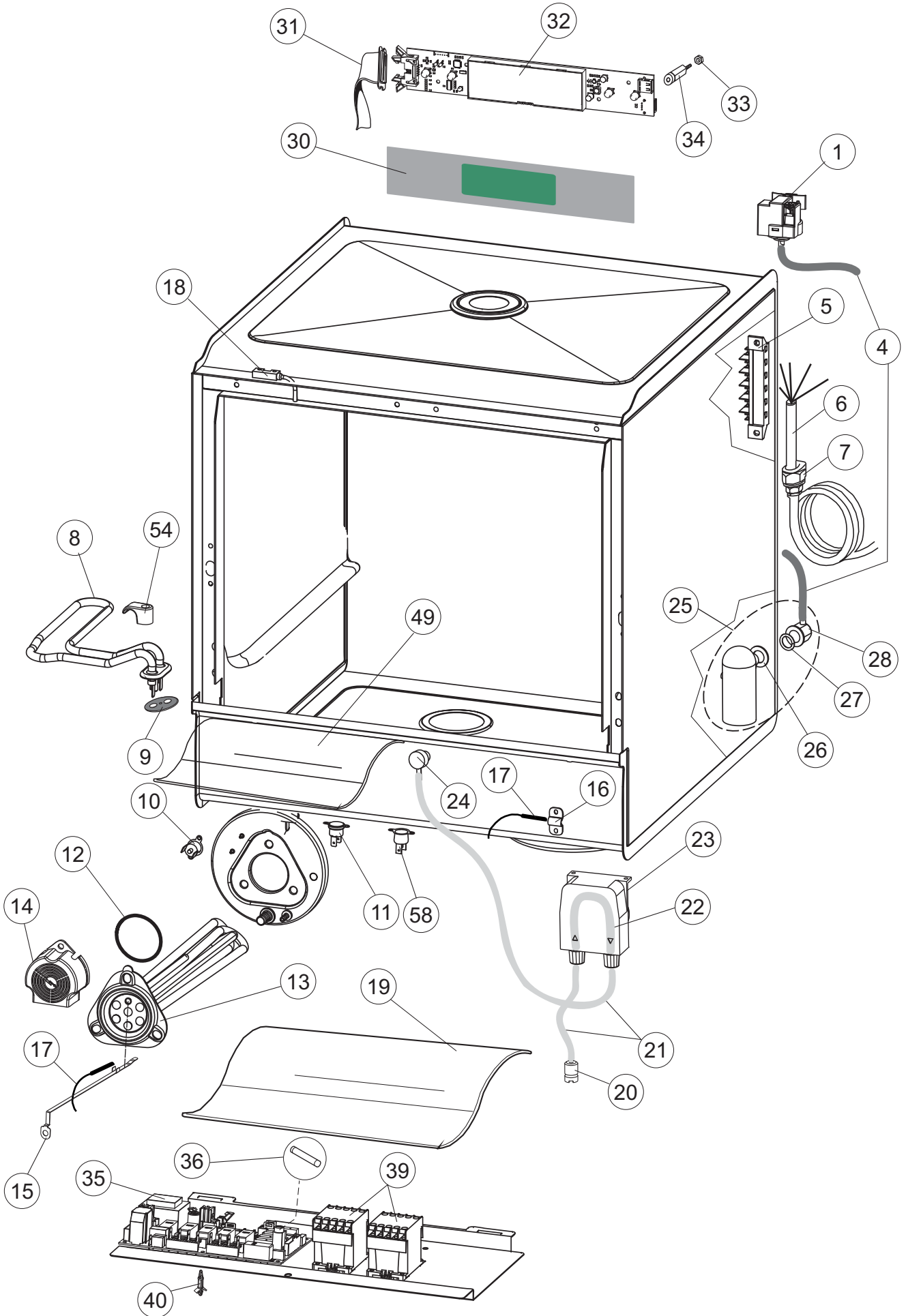
Spare parts catalogue
valid from serial no. 3056976 up today (29/10/2021)

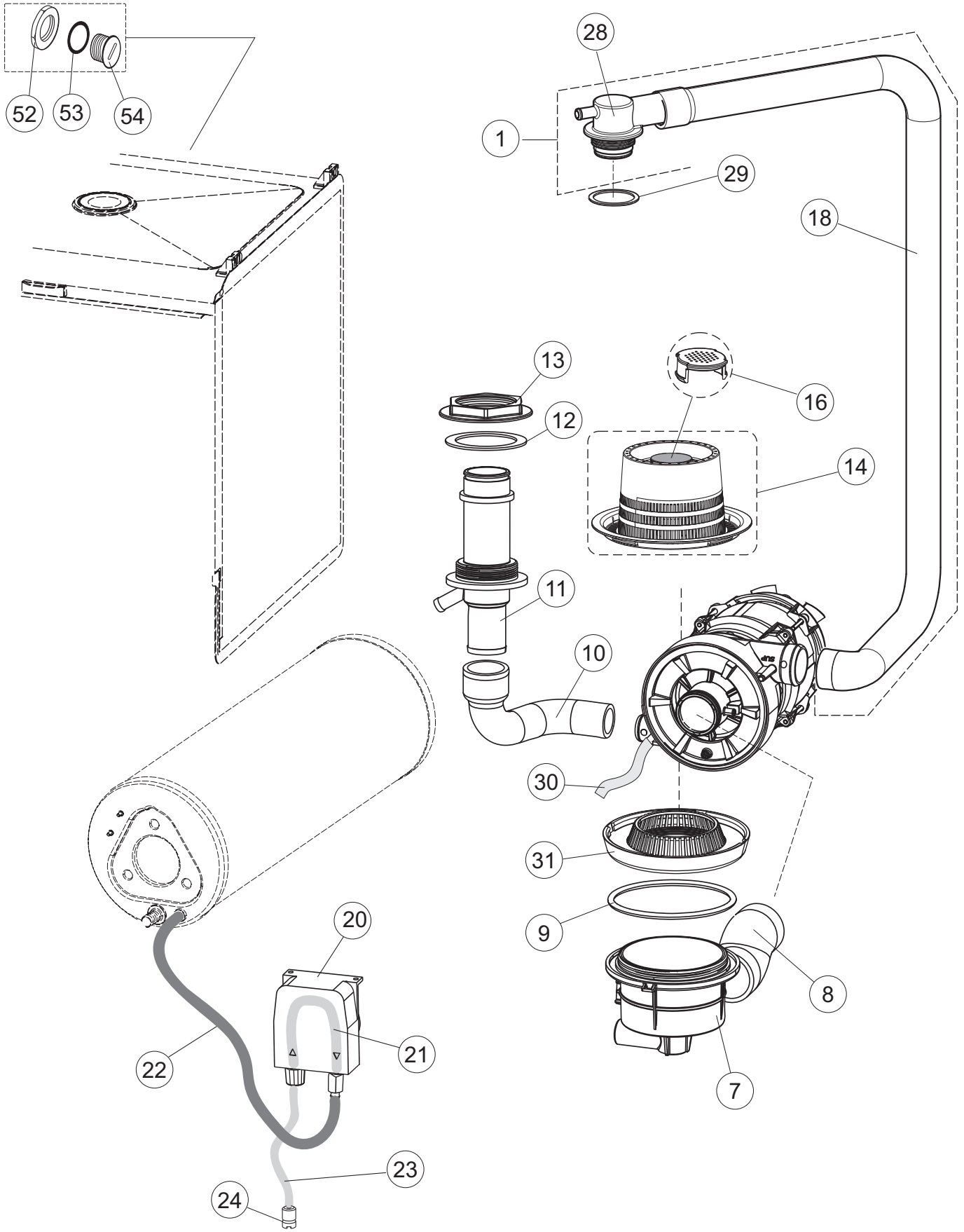
Catálogo de peças de reposição
válido do número de série 3056976 até hoje (29/10/2021)

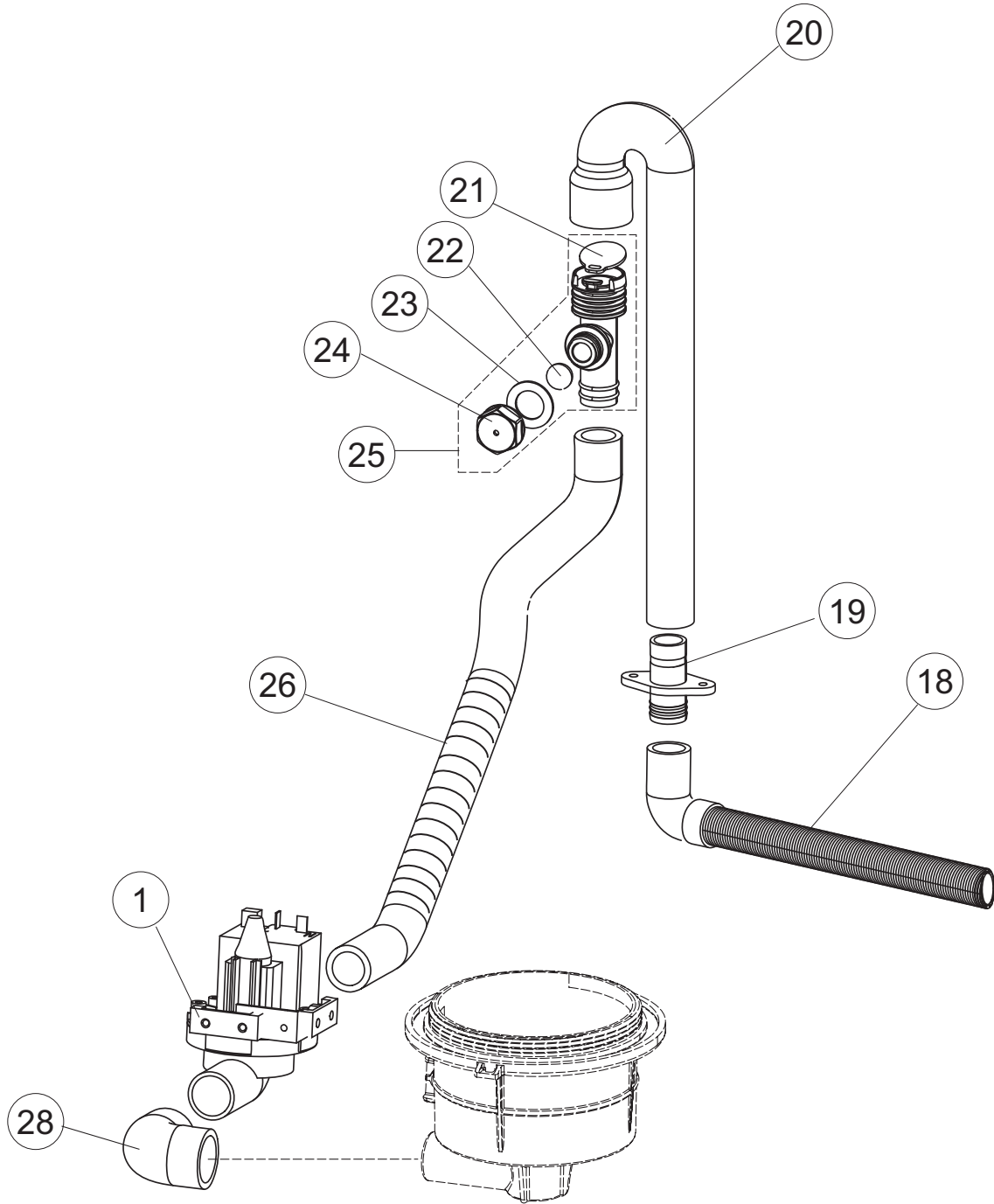
LP4060

1



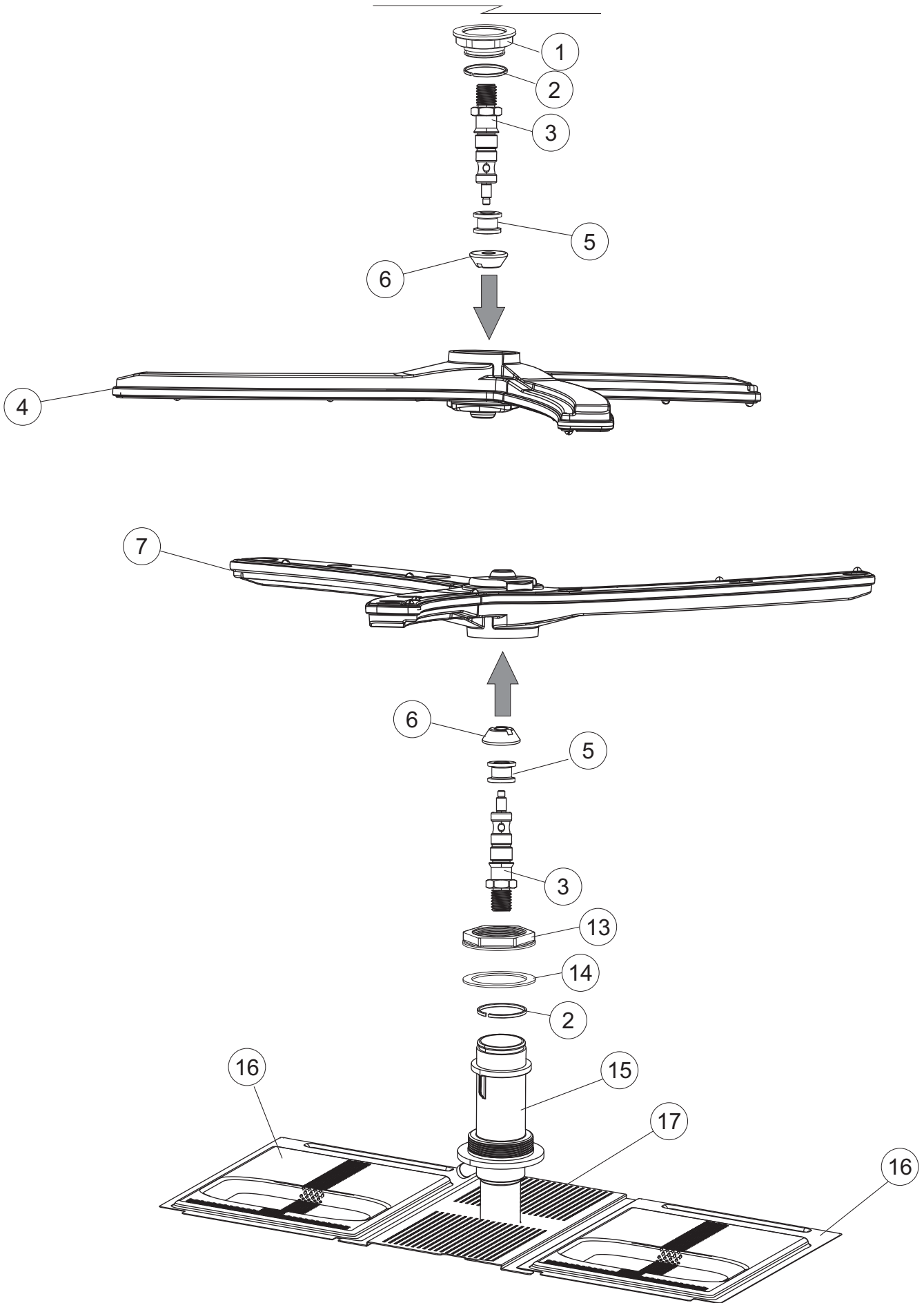


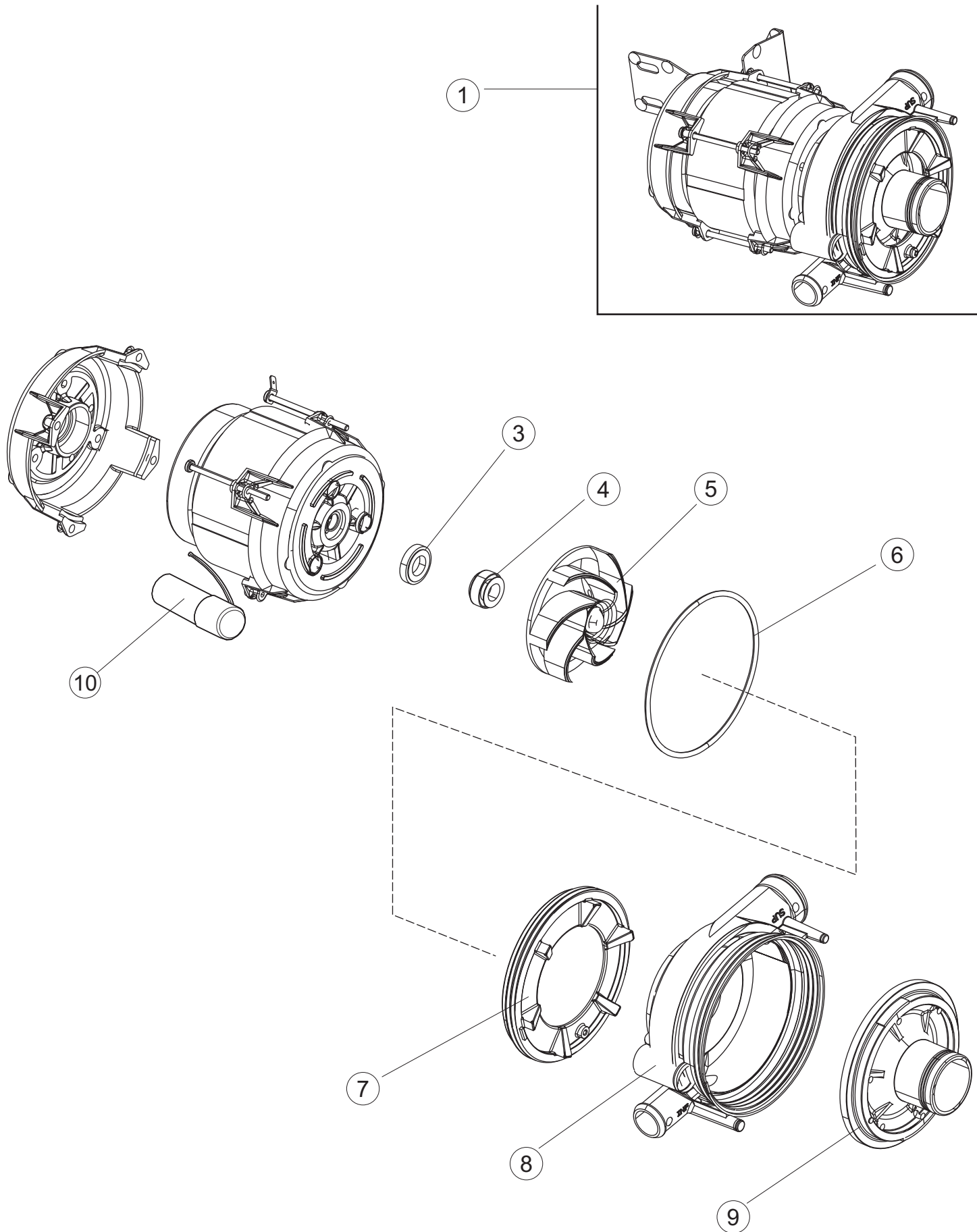


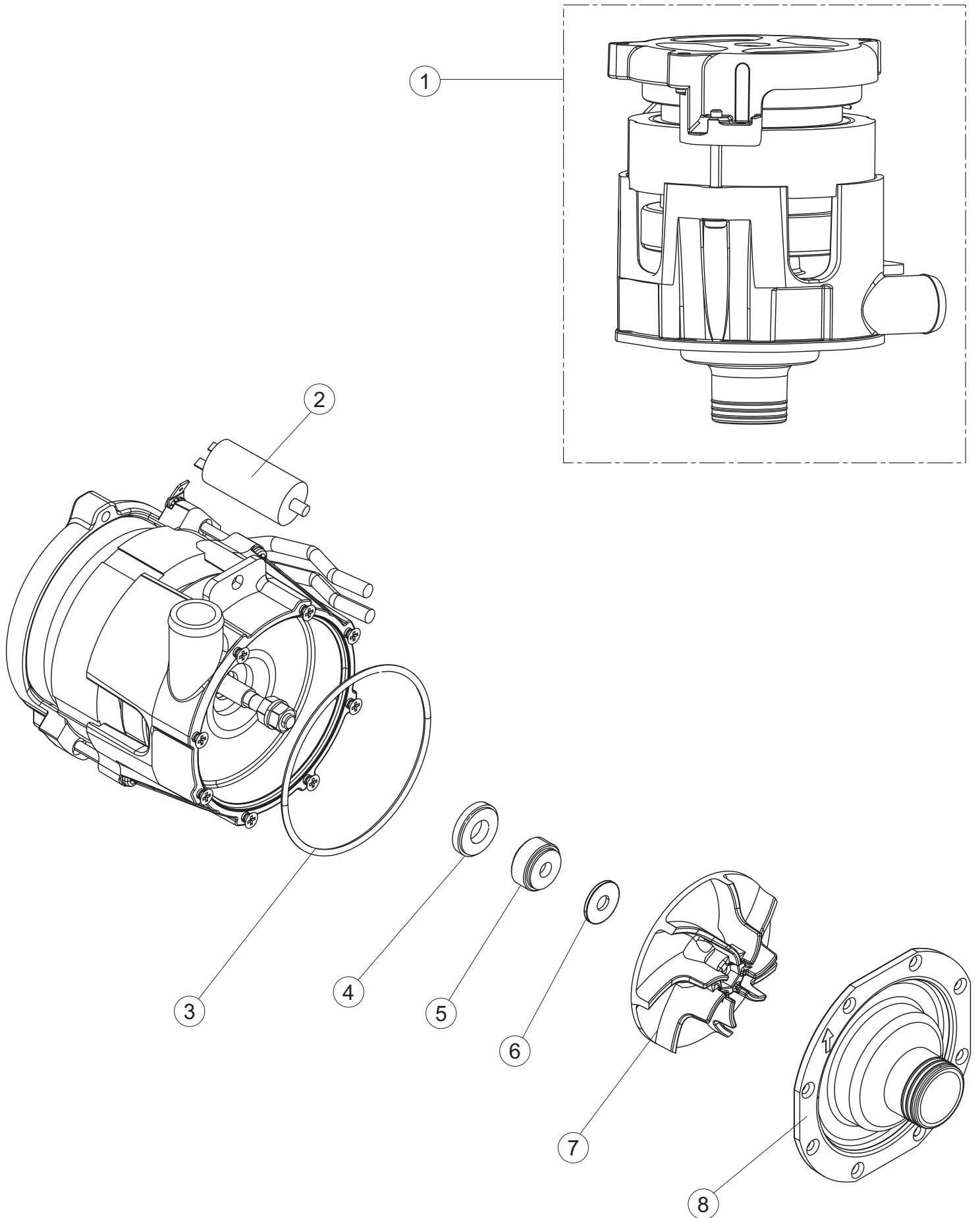


Drain pump

6







(*) Recommended spare part.

Page	Spare part position	Spare part code no.	Old code number	Description	U.m.
1	1	004360		COVER	NR
1	2	022171		BACK PANEL	NR
1	3	035113		SUPPORT BRACKET	NR
1	4	437081		DOOR GASKET 50/505	NR
1	5	994012		DOOR LOCK FOR DISHWASHERS	NR
1	6	417041		DOOR CLOSING CONTACT BETA 50 (S6198)	NR
1	7	307003		NUT OF TOP DOOR-STOP BAR	NR
1	8	029838		DOOR	NR
1	9	325066		DOOR CLOSURE STAKE FOR GLASSWASHERS	NR
1	10	311032		DOOR BRACKET	NR
1	11	325036		PIVOT	NR
1	12	304021		DOOR TIE ROD FOR DISHWASHER (S6323)	NR
1	13	035112		WIRING PANEL	NR
1	14	012356		FRONT PANEL	NR
1	15	030208		PRICE TO BE DEFINED	
1	16	040147		BASE FRAME LA600	NR
1	17	461029		STAINLESS STEEL FOOT 2" C/F H=125-190MM TOTAL -M12 - TIGHTENING	NR
1	18	480153		PLUG	NR
1	19	459006		CHOCK D INT 9 EST 16	NR
1	20	459004		DRAIN PUMP CHOCK	NR
1	24	040146		ADDITIONAL BASE	NR
1	25	021153		LEFT SIDE PANEL	NR
1	26	021152		RIGHT SIDE PANEL	NR
1	34	449067		SPRING LA600 L=66MM	NR
1	35	015078		PRICE TO BE DEFINED	
1	36	015077		PRICE TO BE DEFINED	
1	45	028117		FIXING PLATE	NR
1	46	028118		FIXING PLATE	NR
1	47	325124		PIVOT	NR
2	1	224031		PRESSURE SWITCH	NR
2	4	143235		PIPE	MT
2	5	220011		TERMINAL BLOCK	NR

(*) Recommended spare part.

Page	Spare part position	Spare part code no.	Old code number	Description	U.m.
2	6	80995		CABLE, FEED. 4X4MM (H07RN-F)	NR
2	7	459005		CABLE-RETAINER	NR
2	8	74169		HEATING ELEMENT 2100W 230V	NR
2	9	437086		PACKING OF THE TANK RESISTANCE	NR
2	10	236047		SAFETY TANK THERMOSTAT 95C	NR
2	11	236061		THERMOSTAT 127	NR
2	12	456002		O-RING	NR
2	13	74086		HEATING ELEMENT	NR
2	14	69870		BOILER HEATING ELEMENT PROTECTION	NR
2	15	69871		PROBE HOLDER	NR
2	16	028105		FIXING PLATE	NR
2	17	231016		TEMPERATURE PROBE	NR
2	18	80871		MAGNETIC DOOR SWITCH	NR
2	19	214114		TRANSPARENT PROTECTION FOR ELECTRIC INSTALLATION FOR DISHWASHER	NR
2	20	121993		FILTER AID DISPENSER	NR
2	21	143194		PIPE	MT
2	22	143258		"SANTOPRENE" PIPE	NR
2	23	209043		DETERGENT DOSING PUMP	NR
2	24	999348		DETERGENT TANK FITTING	NR
2	25	984007		CONTROL GROUP THE LEVEL OF WATER	NR
2	26	437019		PACKING FOR AIR TRAP OF PRESSURE SWITCH	NR
2	27	456020		O-RING	NR
2	28	468029		AIR TRAP CONNECTION OF PRESSURE SWITCH	NR
2	30	056328		CONTROL ADHESIVE INTERFACE LP4060 INFRICO	NR
2	31	211013		FLAT WIRE	NR
2	32	74905		PRICE TO BE DEFINED (PART NR. REPLACED BY 74905V)	
2	32	74905V		CONTROL KEYBOARD	NR
2	33	417119		NUT	NR
2	34	419036		INTERFACE BOARD DISTANCE KEEPERS	NR
2	35	215042-9		MAIN BOARD GET50.2 ELETTRONICA J	NR
2	36	228010		FUSE	NR
2	39	229042		AUXILIARY CONTACT	NR

(*) Recommended spare part.

Page	Spare part position	Spare part code no.	Old code number	Description	U.m.
2	40	461028		FOOT BOARD SUPPORT	NR
2	49	214108		PVC CURTAIN FOR ELECTRIC PROTECTION	NR
2	54	999351		GROUP STOPPED TANK HEATER	NR
2	58	236052		THERMOSTAT 90+/-3C	NR
3	1	115154		MAINFOLD	NR
3	7	136030		ASPIRATION AND DRAIN BODY	NR
3	8	127082		DELIVERY WASH HOSE	NR
3	9	456076		O-RING	NR
3	10	127085		DELIVERY WASH HOSE	NR
3	11	115143		MAINFOLD	NR
3	12	437102		GASKET	NR
3	13	429073		RING NUT	NR
3	14	121135		SUCTION FILTER UNIT	NR
3	16	480162		PLUG	NR
3	18	127192		DELIVERY HOSE	NR
3	20	209042		DOSING PUMP	NR
3	21	143261		HOSE	NR
3	22	143005		LINEN RUBBER PIPE 5X12 - BLACK	MT
3	23	H.775601		PIPE	MT
3	24	121993		FILTER AID DISPENSER	NR
3	28	115149		SUPPORT ARMS WASH / RINSE	NR
3	29	437113		GASKET	NR
3	30	H.165168		PIPE	MT
3	31	429072		RING NUT	NR
3	52	417123		LOCK NUT	NR
3	53	456071		O-RING	NR
3	54	480149		PLUG	NR
4	1	999364		DRAIN PUMP + BRACKET 220/240-50HZ	NR
4	18	143137		DRAIN HOSE	NR
4	19	468152		DRAIN CONNECTION FOR DISHWASHERS SERIE	NR
4	20	127136		SLEEVE	NR
4	21	499092		DIAPHRAGM VALVE VENT	NR

(*) Recommended spare part.

Page	Spare part position	Spare part code no.	Old code number	Description	U.m.
4	22	476008		SPHERE	NR
4	23	437083		GASKET	NR
4	24	468199		PIPE FITTING	NR
4	25	144992		NO RETURN VALVE	NR
4	26	127158		SLEEVE	NR
4	28	127134		SUCTION PIPE	NR
5	1	144033		BREAK TANK	NR
5	2	480160		COVER	NR
5	3	437118		RUBBER GASKET	NR
5	4	00-324384-000		NUT FOR 1" AIR-GAP	NR
5	5	143004		PIPE	MT
5	6	224031		PRESSURE SWITCH	NR
5	8	143235		PIPE	MT
5	9	144035		LOADING SYSTEM BOILER CRP2 WITH BELL PRESSURE SWITCH	NR
5	10	127095		BOILER PIPE	NR
5	11	130196		PUMP 200W 230/50-1N	NR
5	13	206013		CAPACITOR	NR
5	14	69068		PIPE	NR
5	15	127169		BOILER PIPE WRAS	NR
5	16	429083		RING NUT	NR
5	17	437080		GASKET	NR
5	18	468209		PIPE FITTING	NR
5	19	104061		BOILER	NR
5	20	143270		INLET WRAS PIPE	NR
5	21	437041		GASKET	NR
5	22	240012		SOLENOID VALVE	NR
5	23	143222		INLET WRAS PIPE	MT
5	24	127144		SLEEVE	NR
5	25	143268		JUNCTION "Y"	NR
5	26	127148		SLEEVE	NR
5	31	459023		CABLE-RETAINER	NR
6	1	429079		RING NUT	NR

(*) Recommended spare part.

Page	Spare part position	Spare part code no.	Old code number	Description	U.m.
6	2	303040		RING	NR
6	3	325129		PIVOT	NR
6	4	990165		RINSE AND WASH ARM	NR
6	5	308039		PLASTIC ARM BUSH	NR
6	6	454007		PIN	NR
6	7	990164		RINSE AND WASH ARM	NR
6	13	429073		RING NUT	NR
6	14	437102		GASKET	NR
6	15	115143		MAINFOLD	NR
6	16	121171		STAINER	NR
6	17	033496		CENTRAL CROSS ARM FOR SPRING HOOKING	NR
7	1	130968		WASHING UNIT LA600 50HZ	NR
7	3	141008		WASHPUMP SHAFT SEAL	NR
7	4	141009		WASHPUMP SHAFT SEAL	NR
7	5	73076		ELECTROPUMP IMPELLER 73048 (3235)	NR
7	6	456078		O-RING	NR
7	7	429074		RING NUT	NR
7	8	73052		ELECTROPUMP HOUSING	NR
7	9	73051		PLUG	NR
7	10	73055		CAPACITOR	NR
8	1	130196		PUMP 200W 230/50-1N	NR
8	2	206013		CAPACITOR	NR
8	3	456088		O-RING PACKING FOR WASH-PUMP	NR
8	4	141021		WASH PUMP SHAFT SEAL FOR GLASSWASHER	NR
8	5	141020		WASH PUMP SHAFT SEAL FOR GLASSWASHER	NR
8	6	472076		SUPPORT WASHER	NR
8	7	124075		ELECTROPUMP IMPELLER 50HZ	NR
8	8	116044		COVER RINSE PUMP	NR